

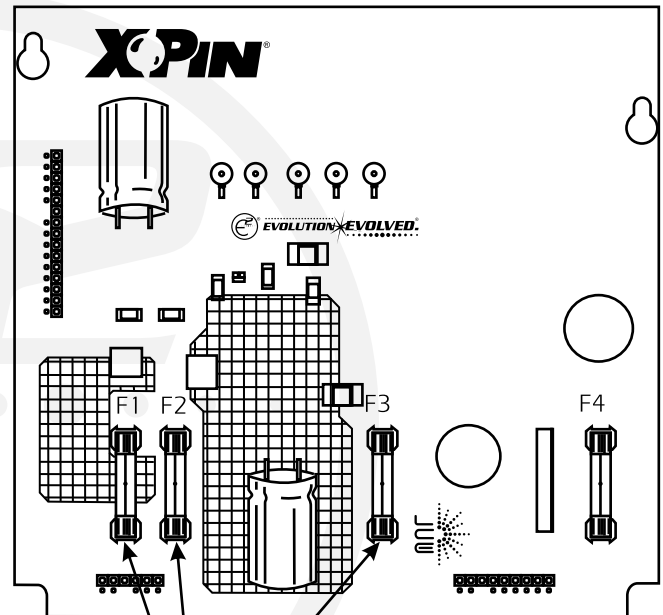
XP-3179-S v. 2.1b

# Installation

## XP-WMS12246

- **Installation Time:** About 20 minutes
- **Tools Required:** 1/4" Nut-driver, Phillips screwdriver
- 1. Unplug the AC power from your pinball machine. Remove game backglass. Open back box.
- 2. Remove existing power supply.
- 3. Install provided fuses into appropriate fuse clips as indicated by the fuse listing on the circuit board.
- 4. It is recommended that if you are using **XPin™** LED displays, you do not install the 3 High Voltage fuses indicated in the Drawing to the right as they are no longer required. ( F1, F2, and F3 )
- 5. Install the XP-WMS12246 into the back box.
- 6. Connect all connectors as indicated.
- 7. Double-check all connections, plug in the machine, and turn the game on. The LEDs will light up
- 8. **PLAY PINBALL!** You'll enjoy your **XPin™** products for years to come!

XP-WMS12246



**NOTE:**  
Do Not Install F1, F2, and F3 when using in conjunction with **XPin™** Displays.



# Installation